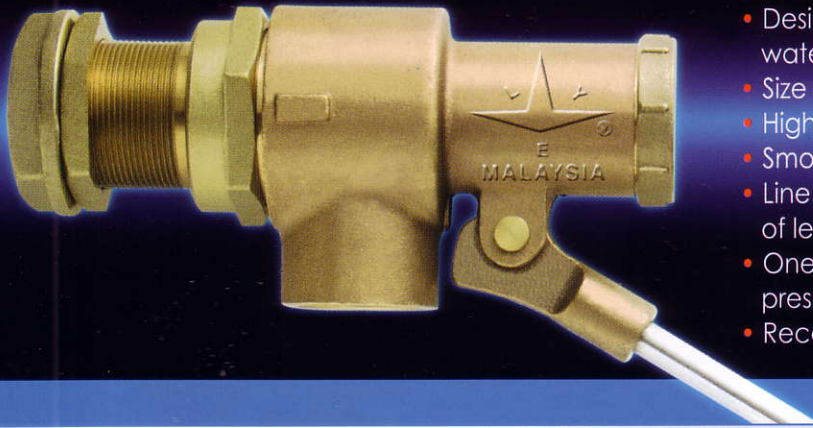




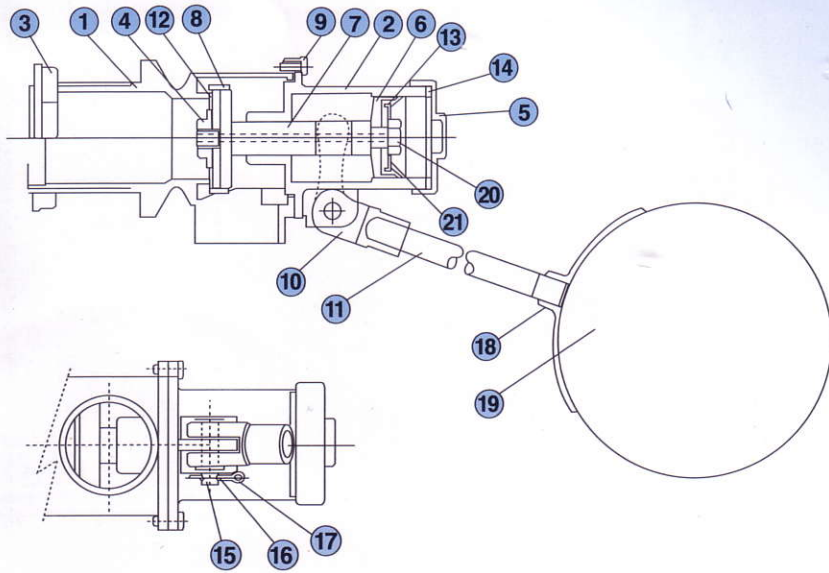
# LYE HEAVY DUTY PISTON TYPE FLOAT OPERATED VALVES

COMPLETE WITH COPPER BALL (TO BS 1212)

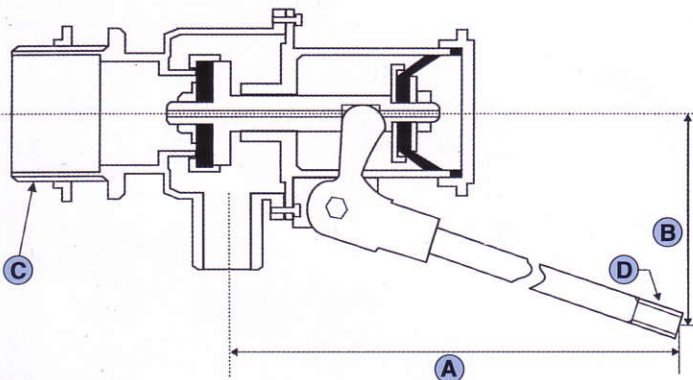


## Features

- Designed to minimise the effect of changing water water pressures.
- Size range from 1 1/4" to 4" in Bronze
- High flow rate variation in sizes 2 1/2" to 4".
- Smoothly controlled closure ensures a fast quiet shut off.
- Line pressure assists closing thus reducing the length of lever required.
- One size of seat and one size of ball float suits any working pressure up to 14 bar or the maximum recommended.
- Recommended for temperatures from 0-85°C.



NO.	DESCRIPTION	MATERIAL (Standard)
1	BODY	BRONZE (BS 1400, LG2)
2	BONNET	BRONZE (BS 1400, LG2)
3	LOCK NUT	BRONZE (BS 1400, LG2)
4	NUT	BRONZE (BS 1400, LG2)
5	END CAP	BRONZE (BS 1400, LG2)
6	PISTON CAP	BRONZE (BS 1400, LG2)
7	DISK GUIDE	BRONZE (BS 1400, LG2)
8	SEAT CAP	BRONZE (BS 1400, LG2)
9	CAP NUT	STAINLESS STEEL (BS 970 : PART 1)
10	ARM HEAD	BRONZE (BS 1400, LG2)
11	ARM	STAINLESS STEEL (BS 970 : PART 1)
12	SEAT PACK	EPDM RUBBER
13	SEAT	EPDM RUBBER
14	SEAT PACK	EPDM RUBBER
15	STEM PIN	BRASS ROD (BS 2874)
16	WASHER	BRASS ROD (BS 2874)
17	PIN	BRASS ROD (BS 2874)
18	BALL HEEL	BRONZE (BS 2874)
19	FLOAT BALL	COPPER (BS 1968)
20	NUT	STAINLESS STEEL (BS 970 : PART 1)
21	WASHER	BRASS ROD (BS 2874)



SIZE	1 1/4"	1 1/2"	2"	2 1/2"	3"	4"
	32 mm	40 mm	50 mm	65 mm	80 mm	100 mm

## Technical Specification :

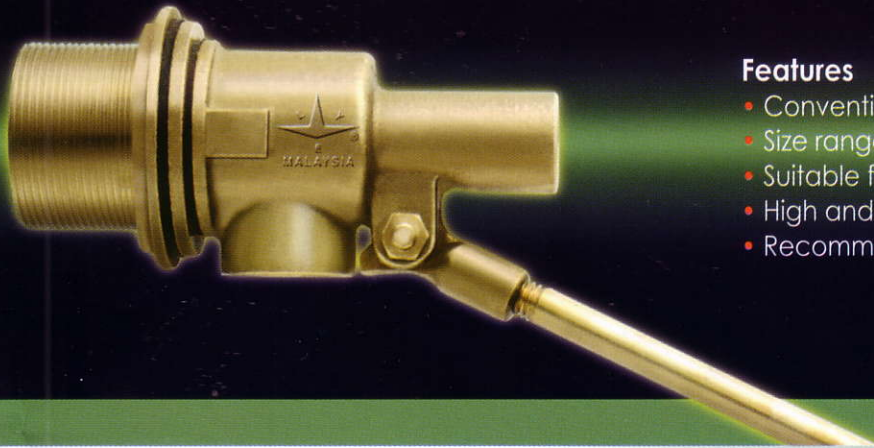
A	500 mm	500 mm	530 mm	545 mm	560 mm	605 mm
B	108 mm	108 mm	90 mm	150 mm	200 mm	140 mm
C	G1 1/4"	G1 1/2"	G2"	G2 1/2"	G3"	G4"
D	BSW 7/16"	BSW 7/16"	BSW 9/16"	9/16"-12UNC	3/4"-10UNC	3/4"-10UNC
Seat Bore	dia.12.8 mm	dia.19.0 mm	dia.25.0 mm	dia.50.0 mm	dia.60.0 mm	dia.74.0 mm

Float Size	dia.8"	dia.8"	dia.10"	dia.12"	dia.14"	dia.14"
------------	--------	--------	---------	---------	---------	---------



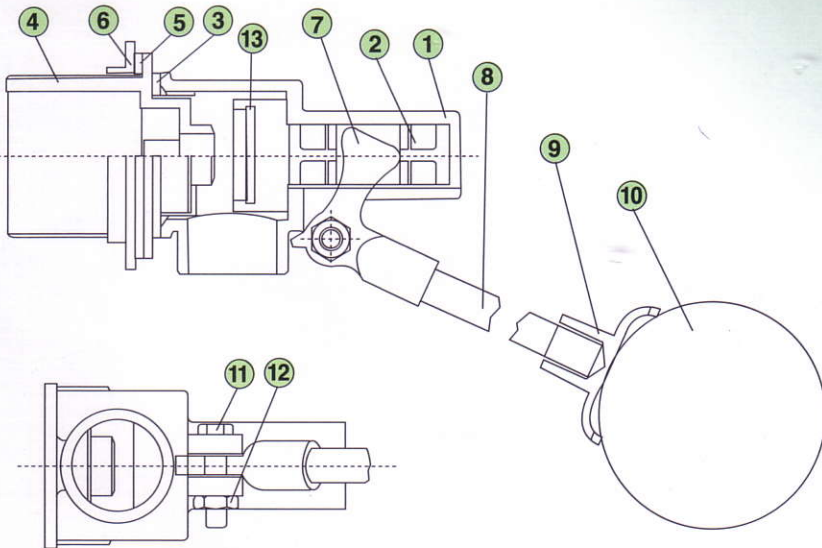
# LVE LIGHT DUTY PISTON TYPE FLOAT OPERATED VALVES

COMPLETE WITH COPPER BALL



### Features

- Conventional design with integral tail and seat
- Size range from 1 1/4" to 2" in Bronze
- Suitable for pressures up to 14 bar (200 p.s.i.)
- High and low pressures variations.
- Recommended for temperatures from 0-85°C.



NO.	DESCRIPTION	MATERIAL (Standard)
1	BODY	BRONZE (BS 1400, LG2)
2	PISTON	BRONZE (BS 1400, LG2)
3	WASHER	EPDM RUBBER
4	SCREW TUBE	BRONZE (BS 1400, LG2)
5	WASHER	EPDM RUBBER
6	NUT	BRONZE (BS 1400, LG2)
7	LEVER HEEL	BRONZE (BS 1400, LG2)
8	ARM	BRASS BAR (BS 2874)
9	BALL HEEL	BRONZE (BS 1400, LG2)
10	FLOAT BALL	COPPER ( BS 1968)
11	SCREW	BRONZE (BS 1400, LG2)
12	SCREW NUT	BRONZE (BS 1400, LG2)
13	WASHER	EPDM RUBBER

SIZE	1" 25 mm	1 1/2" 40 mm	2" 50 mm
------	-------------	-----------------	-------------

### Technical Specification :

A	318 mm	575 mm	590 mm
B	70 mm	154 mm	145 mm
C	G 1"	G 1 1/2"	G 2"
D	BSW 5/16"	dia.12.3mm X 20tpi	dia.12.3mm X 20tpi
Seat Bore	dia. 10 mm	dia. 16 mm	dia. 16 mm

Float Size	dia. 6"	dia. 8"	dia. 10"
------------	---------	---------	----------

